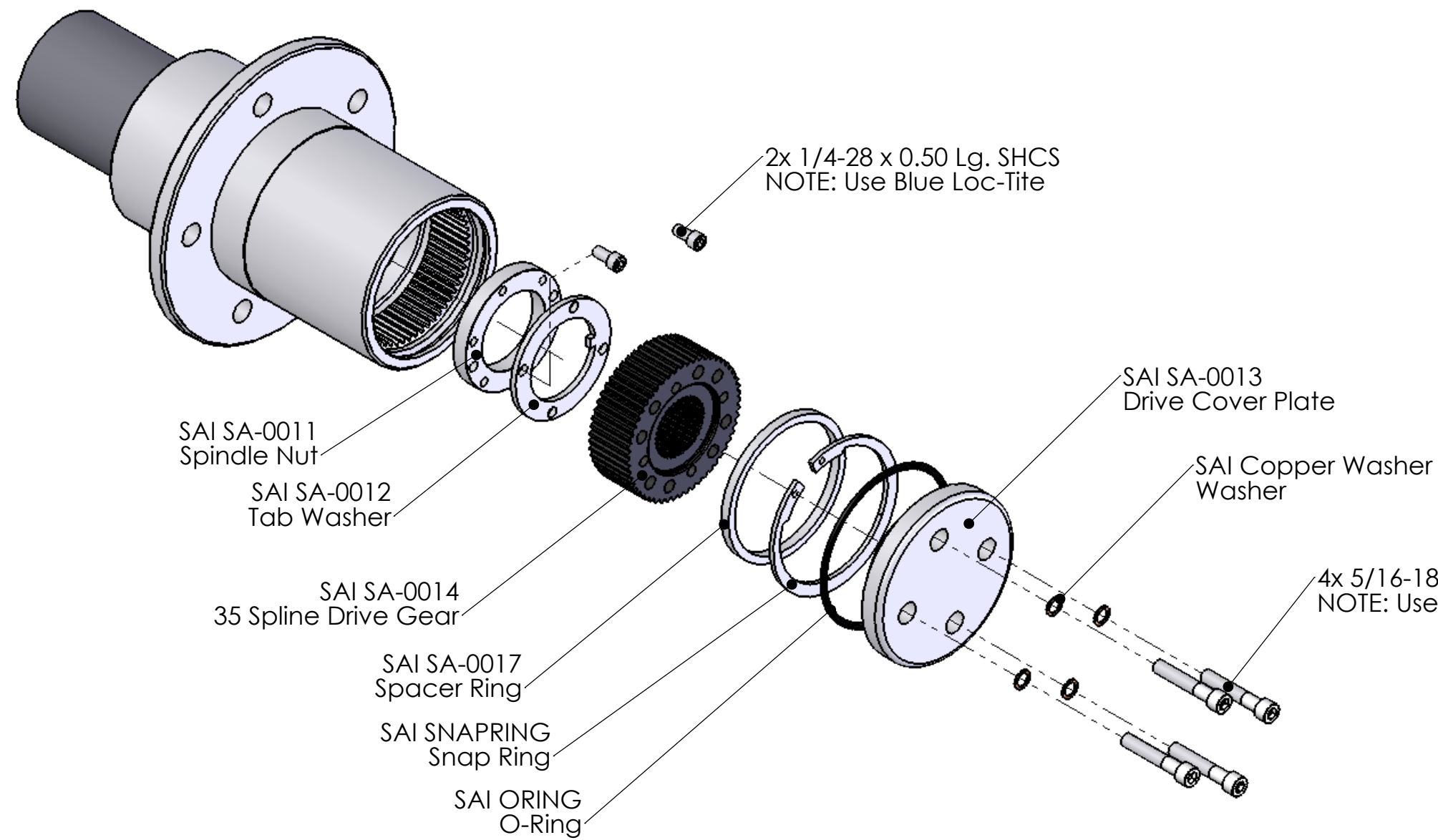




Solid Axle Industries, LLC.
 12356 Mahoning Avenue
 North Jackson, Ohio 44451

Toll Free: 888.290.AXLE
 Phone: 330.538.9791
 Fax: 330.538.9793



2x 1/4-28 x 0.50 Lg. SHCS
 NOTE: Use Blue Loc-Tite

SAI SA-0011
 Spindle Nut

SAI SA-0012
 Tab Washer

SAI SA-0014
 35 Spline Drive Gear

SAI SA-0017
 Spacer Ring

SAI SNAPRING
 Snap Ring

SAI ORING
 O-Ring

SAI SA-0013
 Drive Cover Plate

SAI Copper Washer
 Washer

4x 5/16-18 x 1.75 Lg. SHCS Plated
 NOTE: Use Blue Loc-Tite

- SA-35FK Contents:
 2 Spindle Nuts
 2 Tab Washers
 4 1/4-28 SHCS x 0.50 LG.
 2 Drive Gears
 2 Spacer Rings
 2 Snap Rings
 2 O-Rings
 2 Drive Cover Plates
 8 Copper Washers
 8 5/16-18 SHCS x 1.75 LG.

PROPRIETARY AND CONFIDENTIAL
 THE INFORMATION CONTAINED IN THIS DRAWING IS THE SOLE PROPERTY OF SOLID AXLE INDUSTRIES, LLC. ANY REPRODUCTION IN PART OR AS A WHOLE WITHOUT THE WRITTEN PERMISSION OF SOLID AXLE INDUSTRIES, LLC. IS PROHIBITED.

		UNLESS OTHERWISE SPECIFIED:		NAME	DATE	TITLE: Drive Flange Assembly	
		DIMENSIONS ARE IN INCHES		DRAWN	M.Martin		13OCT06
		TOLERANCES:		CHECKED	M.Martin		13OCT06
		FRACTIONAL ±		ENG APPR.	M.Martin		13OCT06
		ANGULAR: MACH ± BEND ±		MFG APPR.			
		TWO PLACE DECIMAL ±		Q.A.			
		THREE PLACE DECIMAL ±		COMMENTS:			
		INTERPRET GEOMETRIC TOLERANCING PER:					
		MATERIAL					
		FINISH					
NEXT ASSY	USED ON						
APPLICATION		DO NOT SCALE DRAWING					
				SIZE	DWG. NO.	REV	
				B	SAI-35FK		
				SCALE: 1:10	WEIGHT:	SHEET 1 OF 1	