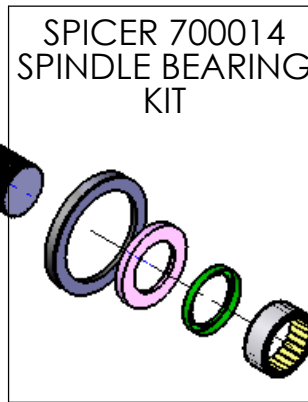
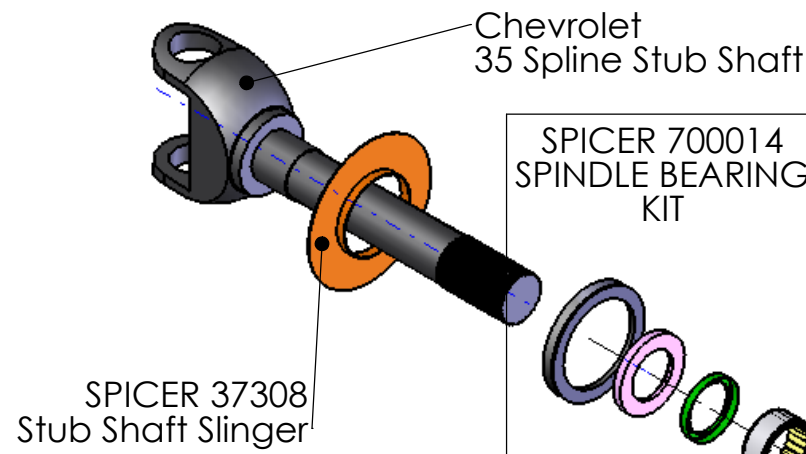


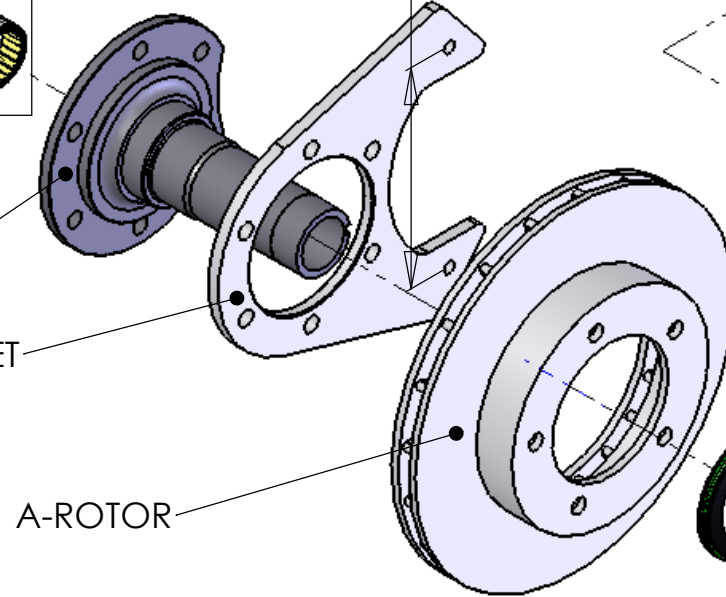
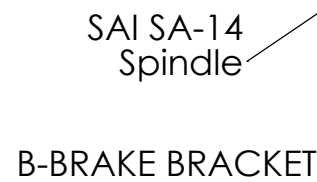
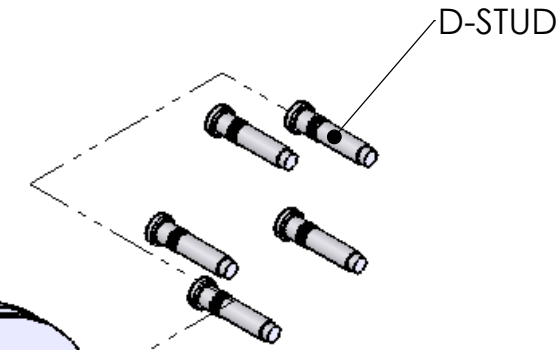


Solid Axle Industries, LLC.
 12356 Mahoning Avenue
 North Jackson, Ohio 44451

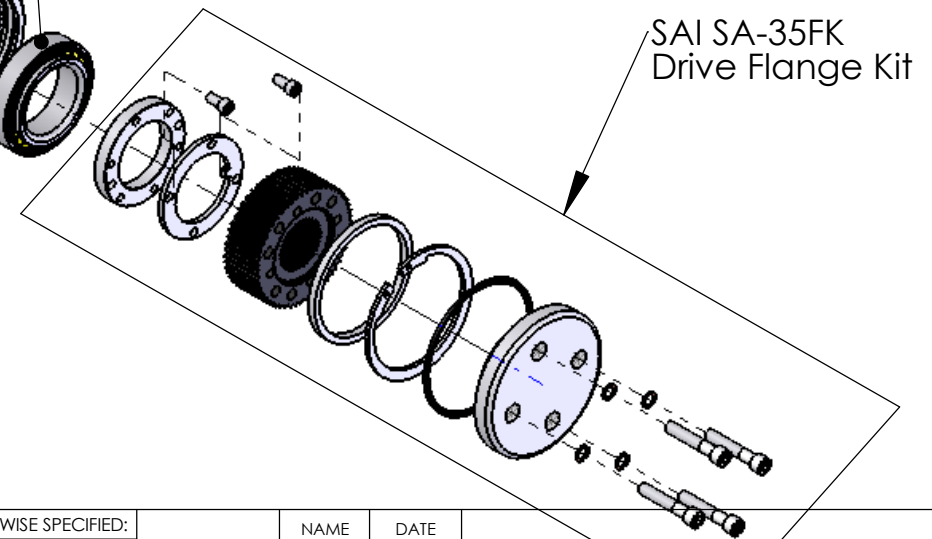
Toll Free: 888.290.AXLE
 Phone: 330.538.9791
 Fax: 330.538.9793



7.05 INCH MOUNTING
PATTERN FOR CHEVROLET
1/2 TON SINGLE PISTON
CALIPER



SAI WBK60
Wheel Bearing Kit



SAI WBK60 Includes:
SEAL 35009N

Inner Spindle Bearing
TIMKEN
Cone 387A
Cup 382A

Outer Spindle Bearing
TIMKEN SET38
Consists of:
LM104949
LM104911

	A-ROTOR	B-BRAKE BRACKET	C-HUB	D-STUD
5 LUG	SA-5ROTOR	SA-12	SA-05	610-381
6 LUG	SA-6ROTOR	SA-12	SA-06	610-381
8 LUG	SA-8ROTOR	SA-11	SA-08-6.5	610-180

PROPRIETARY AND CONFIDENTIAL
 THE INFORMATION CONTAINED IN THIS
 DRAWING IS THE SOLE PROPERTY OF
 SOLID AXLE INDUSTRIES, LLC. ANY
 REPRODUCTION IN PART OR AS A
 WHOLE WITHOUT THE WRITTEN PERMISSION
 OF SOLID AXLE INDUSTRIES, LLC. IS
 PROHIBITED.

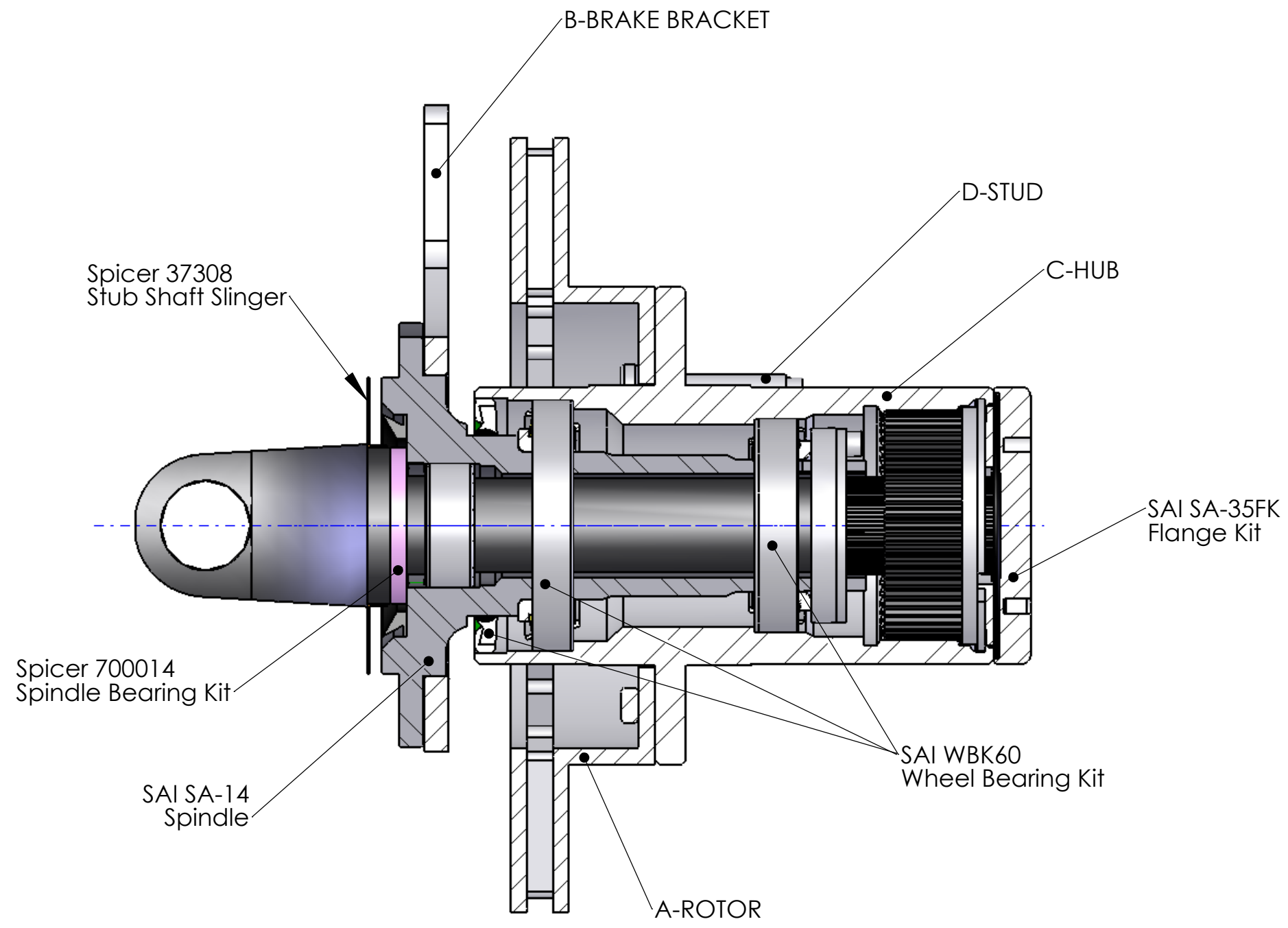
UNLESS OTHERWISE SPECIFIED:		NAME	DATE
DIMENSIONS ARE IN INCHES		DRAWN	M.Martin 13OCT06
TOLERANCES:		CHECKED	M.Martin 13OCT06
FRACTIONAL ±		ENG APPR.	M.Martin 13OCT06
ANGULAR: MACH ± BEND ±		MFG APPR.	
TWO PLACE DECIMAL ±		Q.A.	
THREE PLACE DECIMAL ±		COMMENTS:	
INTERPRET GEOMETRIC TOLERANCING PER:			
MATERIAL			
FINISH			
NEXT ASSY	USED ON		
APPLICATION	DO NOT SCALE DRAWING		

TITLE: Outer Assembly Front		
SIZE B	DWG. NO. FRONT	REV
SCALE: 1:20	WEIGHT:	SHEET 1 OF 2



Solid Axle Industries, LLC.
 12356 Mahoning Avenue
 North Jackson, Ohio 44451

Toll Free: 888.290.AXLE
 Phone: 330.538.9791
 Fax: 330.538.9793



PROPRIETARY AND CONFIDENTIAL
 THE INFORMATION CONTAINED IN THIS DRAWING IS THE SOLE PROPERTY OF SOLID AXLE INDUSTRIES, LLC. ANY REPRODUCTION IN PART OR AS A WHOLE WITHOUT THE WRITTEN PERMISSION OF SOLID AXLE INDUSTRIES, LLC. IS PROHIBITED.

		UNLESS OTHERWISE SPECIFIED:		NAME	DATE	TITLE: Outer Assembly Front
		DIMENSIONS ARE IN INCHES TOLERANCES: FRACTIONAL ± ANGULAR: MACH ± BEND ± TWO PLACE DECIMAL ± THREE PLACE DECIMAL ±		DRAWN	M.Martin 13OCT06	
		INTERPRET GEOMETRIC TOLERANCING PER:		CHECKED	M.Martin 13OCT06	
		MATERIAL		ENG APPR.	M.Martin 13OCT06	
		FINISH		MFG APPR.		SIZE B
NEXT ASSY	USED ON	DO NOT SCALE DRAWING		Q.A.		
APPLICATION				COMMENTS:		REV
						SCALE: 1:20
						WEIGHT:
						SHEET 2 OF 2