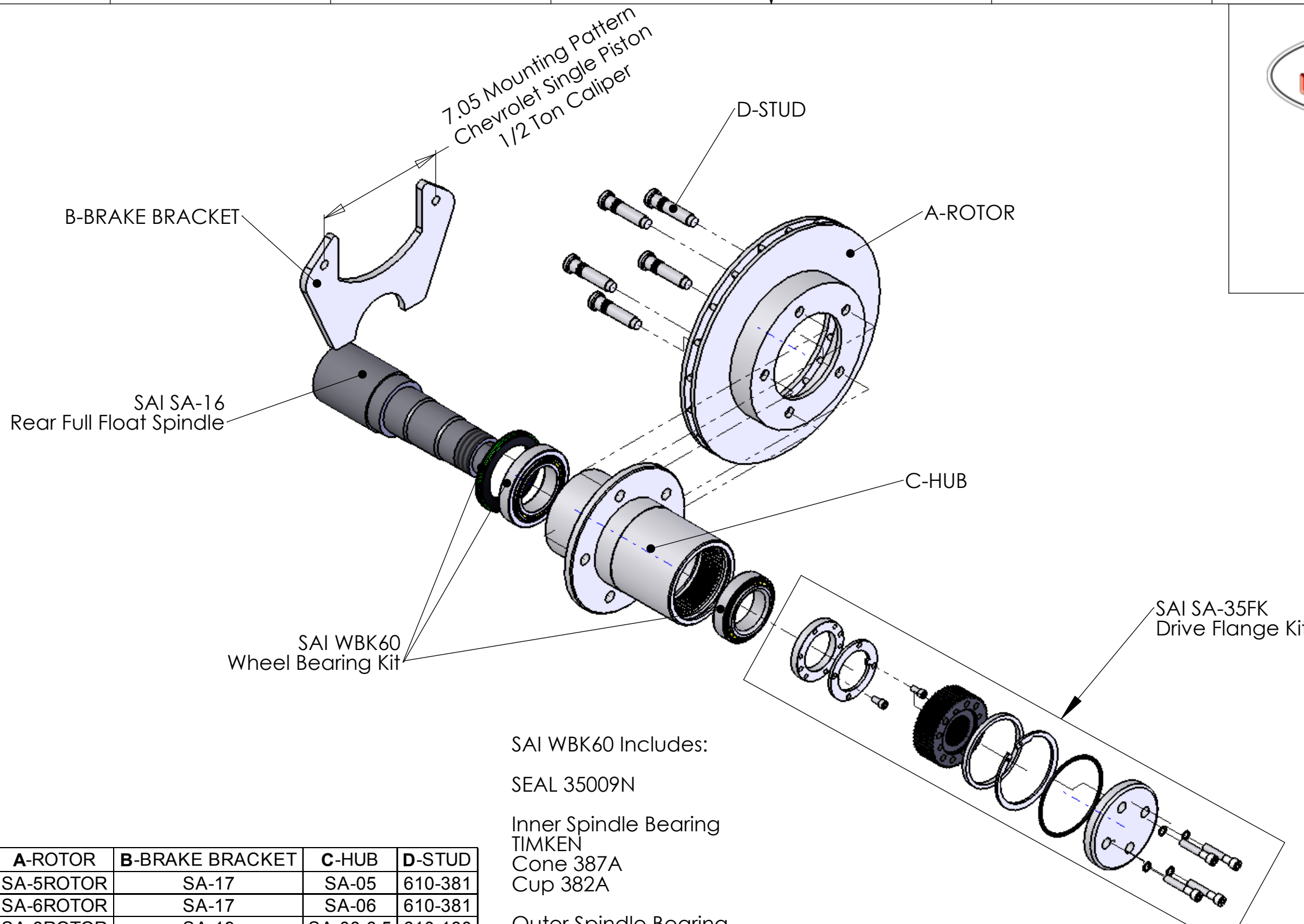




**Solid Axle Industries, LLC.**  
 12356 Mahoning Avenue  
 North Jackson, Ohio 44451

Toll Free: 888.290.AXLE  
 Phone: 330.538.9791  
 Fax: 330.538.9793



SAI WBK60 Includes:

SEAL 35009N

Inner Spindle Bearing  
 TIMKEN  
 Cone 387A  
 Cup 382A

Outer Spindle Bearing  
 TIMKEN SET38  
 Consists of:  
 LM104949  
 LM104911

	<b>A-ROTOR</b>	<b>B-BRAKE BRACKET</b>	<b>C-HUB</b>	<b>D-STUD</b>
5 LUG	SA-5ROTOR	SA-17	SA-05	610-381
6 LUG	SA-6ROTOR	SA-17	SA-06	610-381
8 LUG	SA-8ROTOR	SA-19	SA-08-6.5	610-180

**PROPRIETARY AND CONFIDENTIAL**  
 THE INFORMATION CONTAINED IN THIS DRAWING IS THE SOLE PROPERTY OF SOLID AXLE INDUSTRIES, LLC. ANY REPRODUCTION IN PART OR AS A WHOLE WITHOUT THE WRITTEN PERMISSION OF SOLID AXLE INDUSTRIES, LLC. IS PROHIBITED.

UNLESS OTHERWISE SPECIFIED:		NAME	DATE
DIMENSIONS ARE IN INCHES		DRAWN	M.Martin 13OCT06
TOLERANCES:		CHECKED	M.Martin 13OCT06
FRACTIONAL ±		ENG APPR.	M.Martin 13OCT06
ANGULAR: MACH ± BEND ±		MFG APPR.	
TWO PLACE DECIMAL ±		Q.A.	
THREE PLACE DECIMAL ±		COMMENTS:	
INTERPRET GEOMETRIC TOLERANCING PER:			
MATERIAL			
FINISH			
NEXT ASSY	USED ON		
APPLICATION		DO NOT SCALE DRAWING	

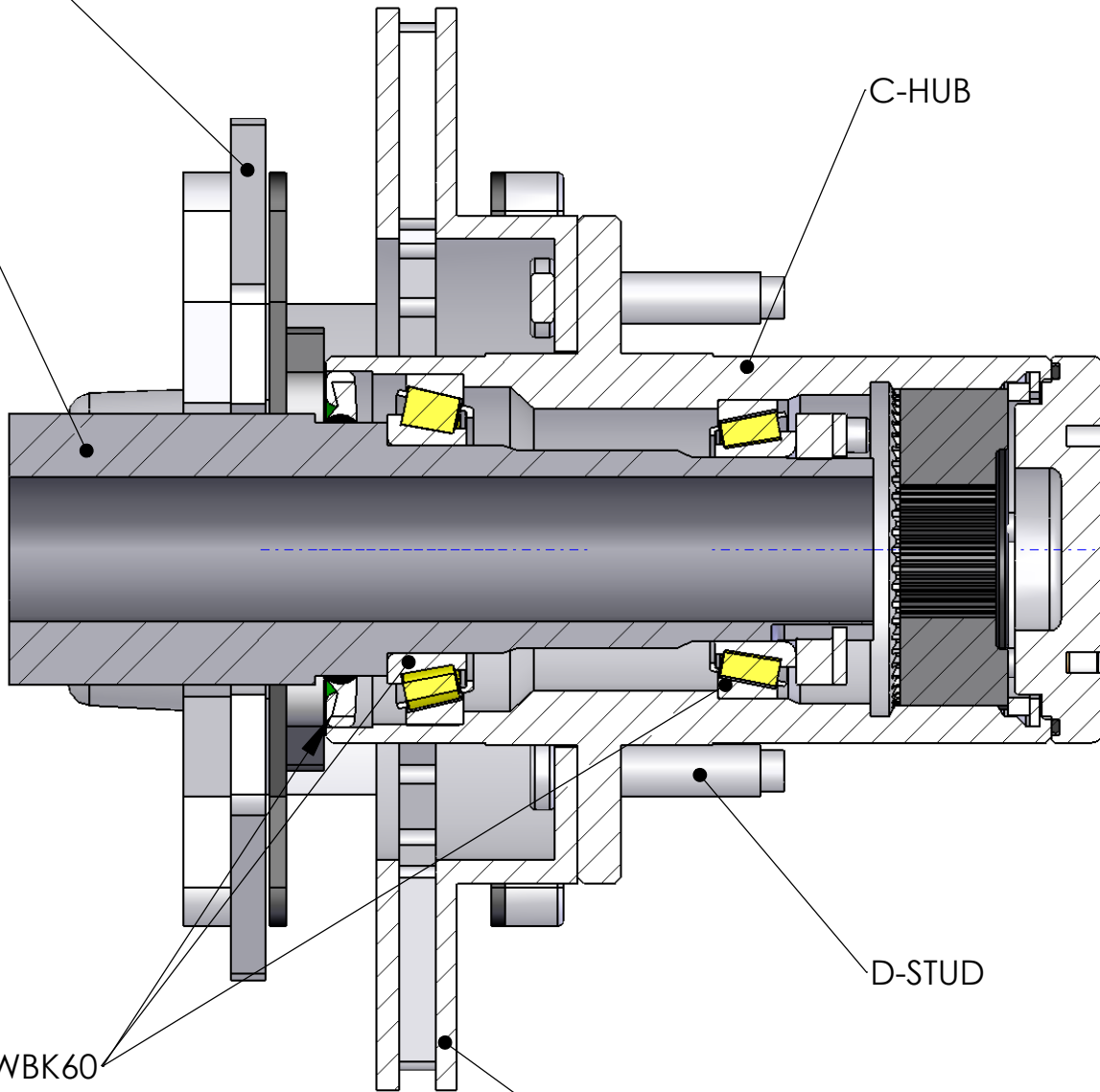
  

TITLE: Outer Assembly Full Float Rear		
SIZE <b>B</b>	DWG. NO. <b>REAR</b>	REV
SCALE: 1:10	WEIGHT:	SHEET 1 OF 2

BRACKET

Spindle

C-HUB



SAI WBK60

D-STUD

A-ROTOR

**PROPRIETARY AND CONFIDENTIAL**  
 THE INFORMATION CONTAINED IN THIS DRAWING IS THE SOLE PROPERTY OF SOLID AXLE INDUSTRIES, LLC. ANY REPRODUCTION IN PART OR AS A WHOLE WITHOUT THE WRITTEN PERMISSION OF SOLID AXLE INDUSTRIES, LLC. IS PROHIBITED.

		UNLESS OTHERWISE SPECIFIED:	
		DIMENSIONS ARE IN INCHES	DRAWN
		TOLERANCES:	CHECKED
		FRACTIONAL $\pm$	ENG APPR.
		ANGULAR: MACH $\pm$ BEND $\pm$	MFG APPR.
		TWO PLACE DECIMAL $\pm$	Q.A.
		THREE PLACE DECIMAL $\pm$	COMMENTS:
		INTERPRET GEOMETRIC TOLERANCING PER:	
		MATERIAL	
		FINISH	
NEXT ASSY	USED ON		
APPLICATION		DO NOT SCALE DRAWING	