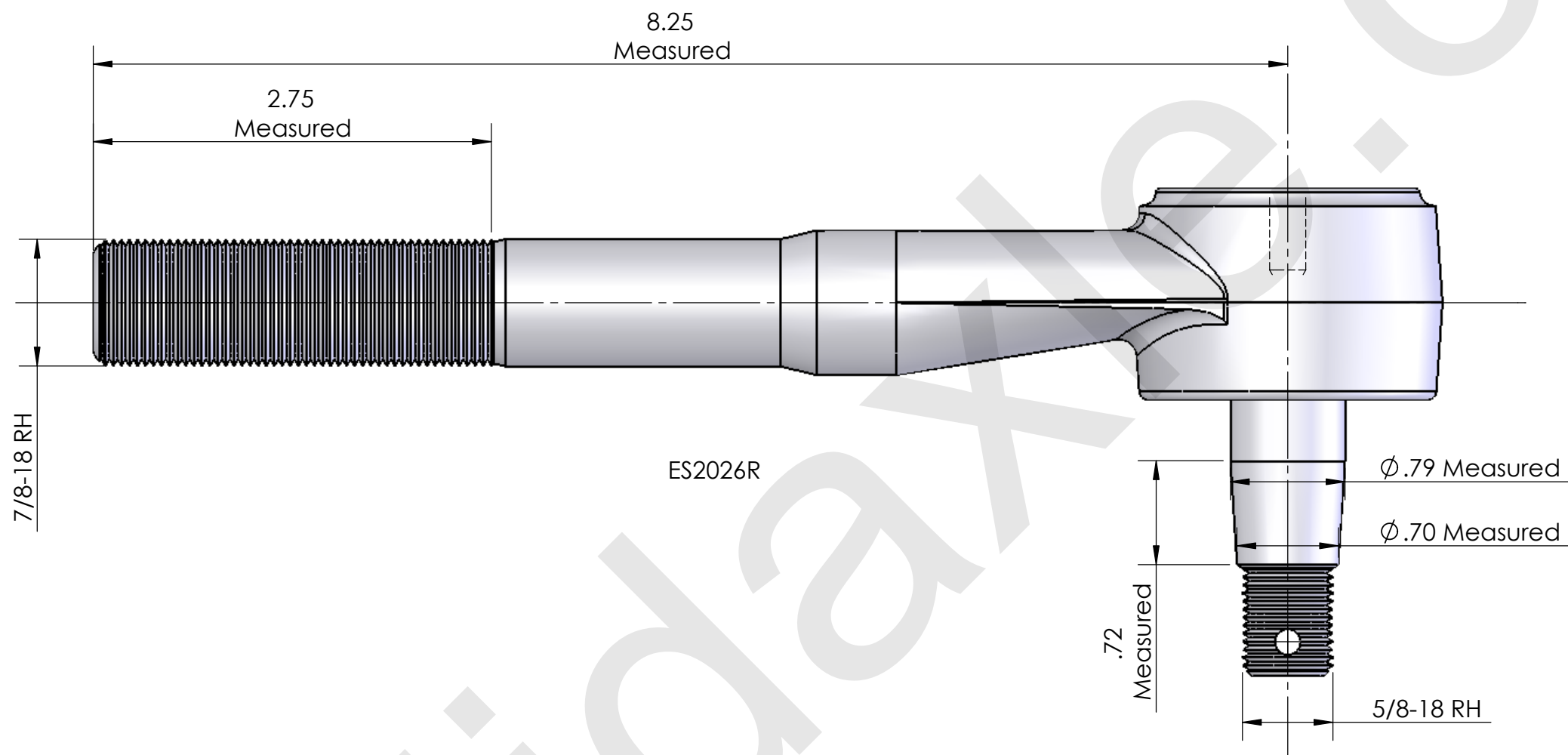
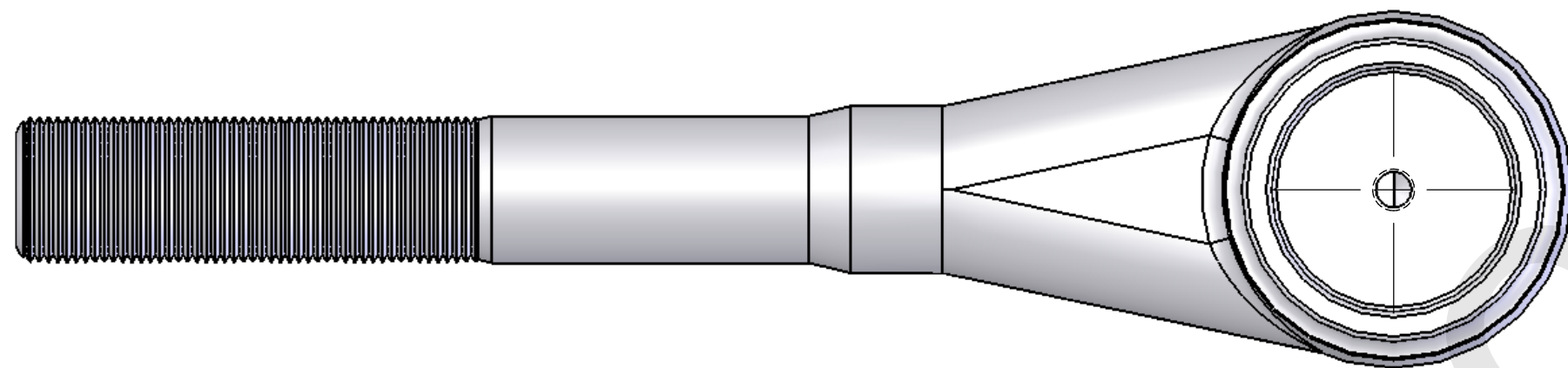



7/8-18 RH ES2010R  
7/8-18 LH ES2010L

ES2010R & ES2010L

UNLESS OTHERWISE SPECIFIED: DIMENSIONS ARE IN MILLIMETERS SURFACE FINISH: TOLERANCES: LINEAR: ANGULAR:				FINISH:		DEBUR AND BREAK SHARP EDGES		DO NOT SCALE DRAWING		REVISION	
										11501 South Avenue North Lima, Ohio 44452 Phone: 234.759.3105 Fax: 330.759.3306	
DRAWN				M.Martin		SIGNATURE		DATE		TITLE:	
CHK'D				M.Martin				03JUL09		Tie Rod Ends	
APPV'D				M.Martin				03JUL09		.	
MFG										.	
Q.A										MATERIAL:	
										DWG NO.	
										A3	
										WEIGHT:	
										SCALE:1:1	
										SHEET 2 OF 5	





UNLESS OTHERWISE SPECIFIED: DIMENSIONS ARE IN MILLIMETERS SURFACE FINISH: TOLERANCES: LINEAR: ANGULAR:				FINISH:		DEBUR AND BREAK SHARP EDGES		DO NOT SCALE DRAWING		REVISION	
										11501 South Avenue North Lima, Ohio 44452 Phone: 234.759.3105 Fax: 330.759.3306	
										TITLE: Tie Rod Ends	
								DWG NO.		A3	
						MATERIAL:		SCALE:1:1		SHEET 4 OF 5	
						WEIGHT:					

7/8-18 RH

ES2026R

Ø.79 Measured

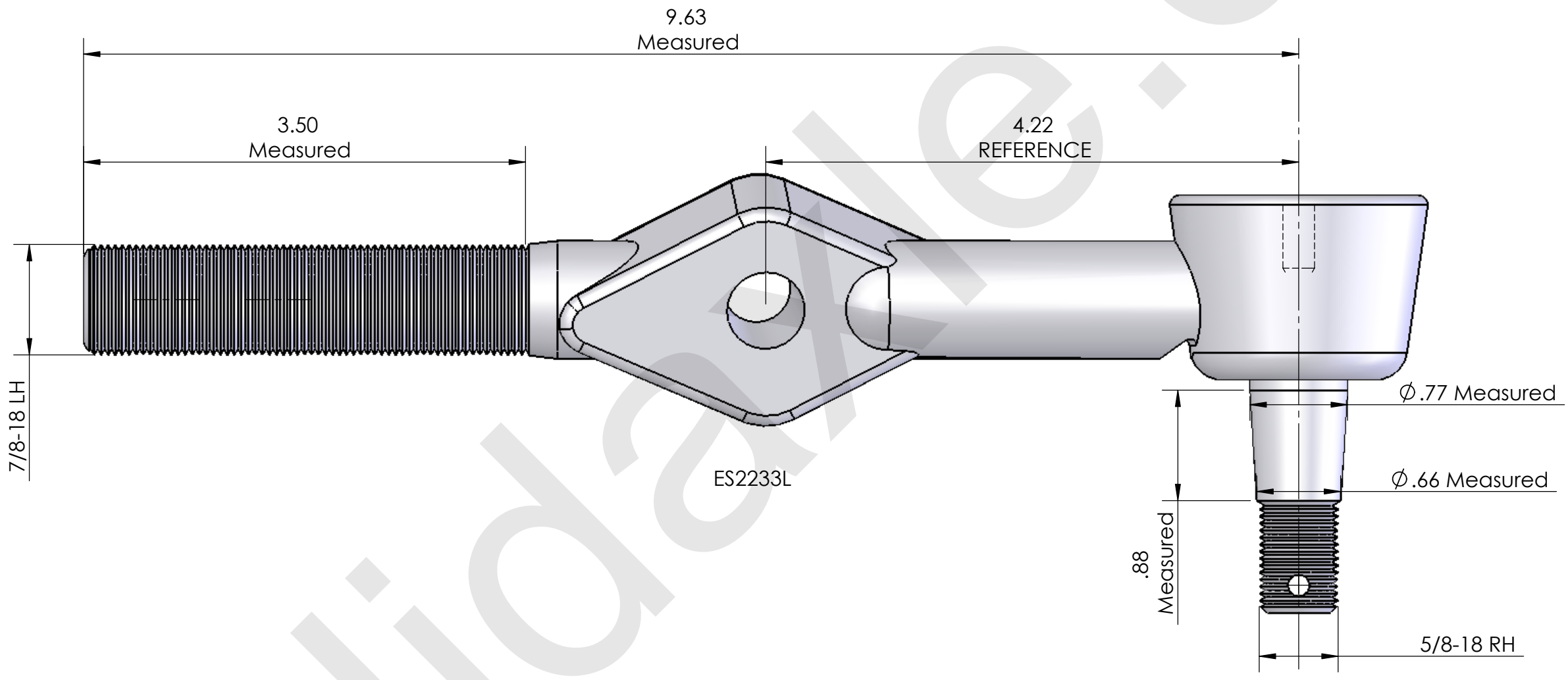
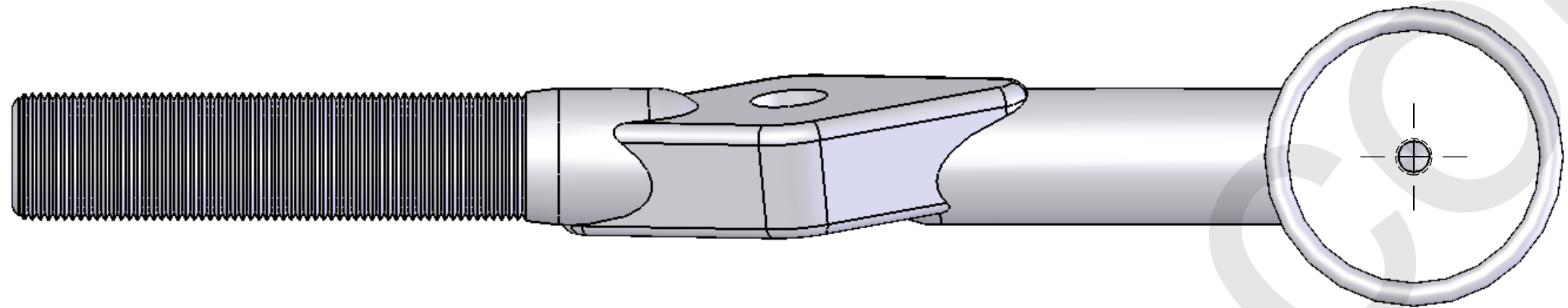
Ø.70 Measured

.72 Measured

5/8-18 RH

8.25 Measured

2.75 Measured



UNLESS OTHERWISE SPECIFIED: DIMENSIONS ARE IN MILLIMETERS SURFACE FINISH: TOLERANCES: LINEAR: ANGULAR:				FINISH:		DEBUR AND BREAK SHARP EDGES		DO NOT SCALE DRAWING		REVISION	
										11501 South Avenue North Lima, Ohio 44452 Phone: 234.759.3105 Fax: 330.759.3306	
										TITLE: Tie Rod Ends	
								DWG NO.		A3	
								SCALE:1:1		SHEET 5 OF 5	